

EZ-Mover Sit-to-stand & Transfer

EM150

EM150 is an easy to use device offering safety, comfortable and convenient support for sit-to-stand and transfer to or from the toilet, bed or wheelchair.

- Adult users weighing up to 150 kg/ 330 lbs
- Lifting of patient for transfer, raising or lowering with ease through the use of special designed EZ-belt Support, enabling only one user or caregiver to perform the task.
- Rolls and turns smoothly and easily on all surfaces.
- Stable and secure platform base has a low step-in height.
- The ladder supports the user during standing training and transfer.
- Lockable wheels with synchronous braking.
- Adjustable height of the knee pads.
- Easy to assemble and disassemble for transport and storage.

SPECIFICATION:

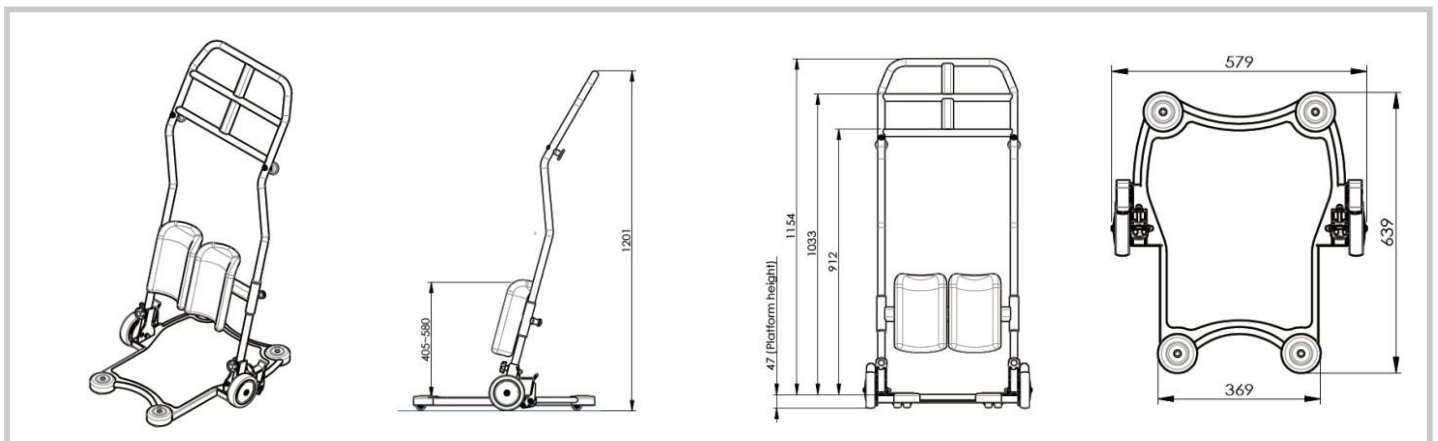
- L x W X H = 693 x 579 x 1201 mm
- Platform Height : 47 mm
- Height of Knee Pad : 405 ~ 580 mm
- Powder Coating
- Knee Pad: PU Castors:
- 1.4 " + 5 "
- Net Weight: about 18.5 kgs



Synchronous Brakes

Nuts for Belt

Height Adjustable Knee Pads



ACCESSORY:



TS30600

TS30610

TS30620

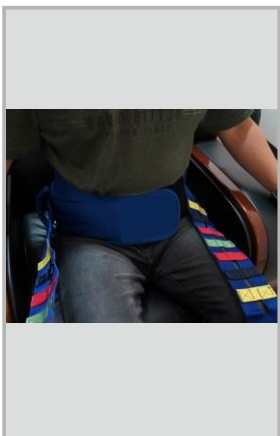
EZ-belt Supports
for transfer, raising or lowering

- Maximum user weight: 150kg/330 lbs.
- Materials: Polyester/Polypropylene/Nylon
- Fixing Strap Size:
 - TS30600 90CM~105 CM
 - TS30610 100CM~120 CM
 - TS30620 115 CM~140 CM

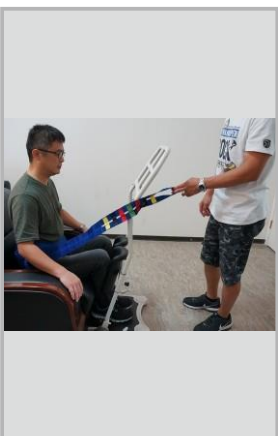
EZ-belt user instruction:



step 1



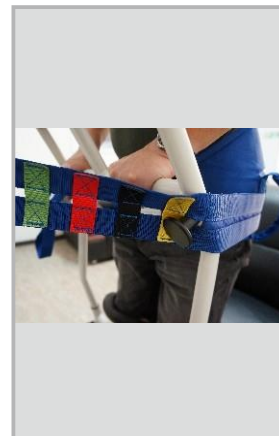
step 2



step 3



step 4



step 5