


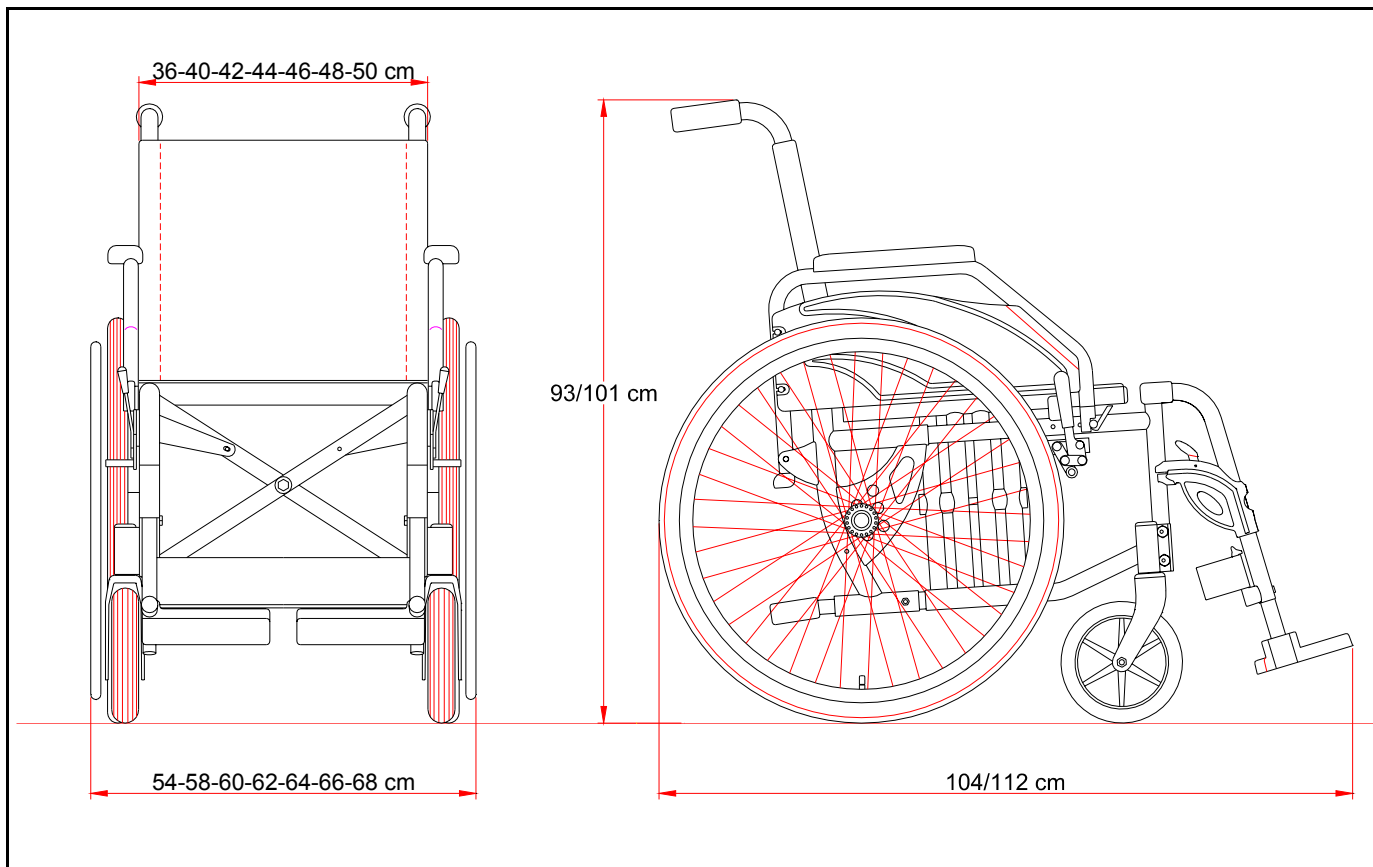
EVOLUTION LIGHT



General Description:

Aid in conformity with the Harmonized Standard EN 12183.
 Modular frame with structure in powder varnished aluminium alloy assembled with special supports made of composite materials which let it be very compact.
 Rear support equipped with a series of holes to allow the insertion of different types of wheels and the placing of the pins to make more comfortable the seating reducing the forwards resistance and improving the sliding of the aid.
 Front support setted up for insertion of the footrests adjustable in height which can be easily removed by an unlocking button allowing the reduction of the length of the wheelchair.
 Rear pneumatic wheels Ø 600, mounted on ball bearings, equipped with quick release pins and parking brake.
 Front puncture proof wheels Ø 180 with rotation pin mounted on ball bearings.
 Seat equipped with a system that allow to improve the depth variation until 8 cm.
 Fork support equipped with device for adjustment of the axle of vertical rotation in order to avoid the swinging of the wheel.
 Folding frame with double crosses with coupling bases with 2 laying supports.
 Synthetic loading fabrics, washable and easy to be removed for replacement or sanitization.
 Aluminium up settable armrests with front lockage equipped with ABS protection and containing panels.
 The upper part is made of soft polyurethane. Rear handles with handgrips for safe catch by the attendant. Adjustable in height rear handles equipped with comfortable handgrips for attendant use.
 Rear protrusion to simplify the steps overpass.
 Detachable calf rest strap. All the materials used for the manufacture of the aid are hypoallergenic and atoxic.
 Available sizes: 36 - 40 - 42 - 44 - 46 - 48 - 50 - 52 cm..
 Max load: 120kg.

Technical data:	
Colour:	On request
Frame:	Frame made of Aluminium alloy
Dimensions (cm):	102x59x90h
Volume (m³):	0,18
Weight (Kg):	15
Antistatic:	No
Disposable	No
Fire-resistant:	-
Use manual	with the aid
Statement of conformity enclosed in the use manual:	
Commercial information:	
Issue date:	28/07/2010
CND CODE	Y122106-Y122103
RDM CODE	97936/R-106339/R
ISO 9999 CODE:	12.21.06.039
Warranty:	
Kinematic mechanism consumable parts electric and electronic components	12 months
Frame	24 month



SUPPLEMENTS LIST:

13.02	I.V. STAND WITH CLAMP
13.03-/+	SEAT HEIGHT REDUCTION/INCREASE
13.05	CRUTCH HOLDER
13.10E	REAR TRANSIT WHEELS Ø 300 (IN ALTERNATIVE TO THOSE Ø 600)
13.20	DRUM BRAKES WITH QUICK RELEASE AND LEVER FOR ATTENDANT
13.37	FOOT STOPPING BELTS
13.37R	HEELS STOPPING BELTS
13.38U	UNIVERSAL BOTTLE HOLDER
13.40	CUSCINO IMBOTTITO PER SCHIENALE
13.44	ADDITIONAL CASTORS FOR NARROW SPACES
13.47	ANTITIPPING WHEELS
13.47EV	RECEDING ANTITIPPING WHEELS
13.48	TRUNK PUSH PAD
13.54	HANDRIMS WITH HANDGRIPS FOR SELF-PROPELLING
13.58	PADDED ABDUTOR
13.58R	HEIGHT ADJ. PADDED ABDUTOR
13.61D/S	ONE ARM STEERING SYSTEM RT/LF FOR QUICK RELEASE WHEELS
13.65	DEVICE FOR BILATERAL AMPUTATED
13.67	INNER PADDINGS FOR RECLINING LEGRESTS ARTICULATIONS
13.70	TRANSPARENT SPOKE GUARDS
13.70C	COLOURED SPOKE GUARDS
13.81D/S	ONE ARM BRAKE RIGHT OR LEFT
14.04	DESK ARMRESTS ADJ. IN HEIGHT
14.04C	CLASSIC ARMRESTS ADJ. IN HEIGHT
14.34E	MANUAL RECLINING BACKRET
14.45Z	KNAPSACK
14.51U	PC TRANSPARENT TRAY
14.51UR	PC UPSETTING TRANSPARENT TRAY
14.54U	ABS RIGID TRAY
14.54UR	ABS UPSETTING RIGID TRAY
14.61/22-1	Ø 22" PUNCTURE PROOF REAR WHEELS
14.61/22PN	Ø 22" PNEUMATIC REAR WHEELS

The company informs that the product can be modified without previous notice.

VASSILLI S.r.l. Via Canada, 9 - 35127 PADOVA - Tel. 049/8798911 Fax 049/644546

Page of pages

2

3

14.61/24-1	Ø 24" PUNCTURE PROOF REAR WHEELS
14.61/7	Ø175 PNEUMATIC FRONT WHEELS
14.62	STRAP WITH BRACES
14.66	CHEST STRAP
14.73A	SEPARATE FOOTPLATES
14.75	MANUAL RECLINING LEGRESTS
14.76	ONE PIECE ALLUMINIUM FOOTREST
14.79L	CLASSIC ARMRESTS
14.81	POSTURAL HEADREST
14.82	BACKREST EXTENSION
15.92P	EXTENDED LEVERS FOR MANUAL BRAKES
21.06	FOAM ACTIVE POSTURAL BACKREST
21.14	FOAM ACTIVE POSTURAL SEAT
21.40	PALMAR SUPPORT
21.82	POSTURAL CONTAINING HEADREST
21.84EVL	SEPARATE FOOTREST ADJUSTABLE IN ANGLE
22.56E	PADDED CUSHION H 5 CM
R120-PU	Ø120 PUNCTURE PROOF FRONT WHEELS
R150-PU	Ø150 PUNCTURE PROOF FRONT WHEELS