

EVOLUTION STANDARD

General Description:

Aid in conformity with the Standard EN 12183.

Modular frame with structure in epoxy powders varnished aluminium shapes assembled with special supports made which let it be very compact.

Rear support equipped with a serie of holes to allow the insertion of different types of wheels and the placing of the pins to make more comfortable the seating reducing the forwards resistance and improving the sliding of the aid.

Front support setted up for insertion of the footrests adjustable in height which can be easily removed by an unlocking button allowing the reduction of the length of the wheelchair.

Rear pneumatic wheels Ø 600, mounted on ball bearings, assembled on ball bearings and with parking brake. Front PU wheels Ø 180 with rotation pin mounted on ball bearings.

Seated equipped with a system allowing to increase the depth until 8 cm.

Fork support with device for djustment of the axle of the vertical rotation in order to avoid wheel's vibrations. Folding frame by cross with coupling bars with 3 laying supports.

Padded seat and backrest covered in loading synthetic materials, washable and easy to be replaced.

Upsetting armrests with front lockage equipped with protection and containing panels.

The upper part is made of soft polyurethane. Rear handles with handgrips adjustable in height for safe catch by the attendant.


Rear device for step climbing.

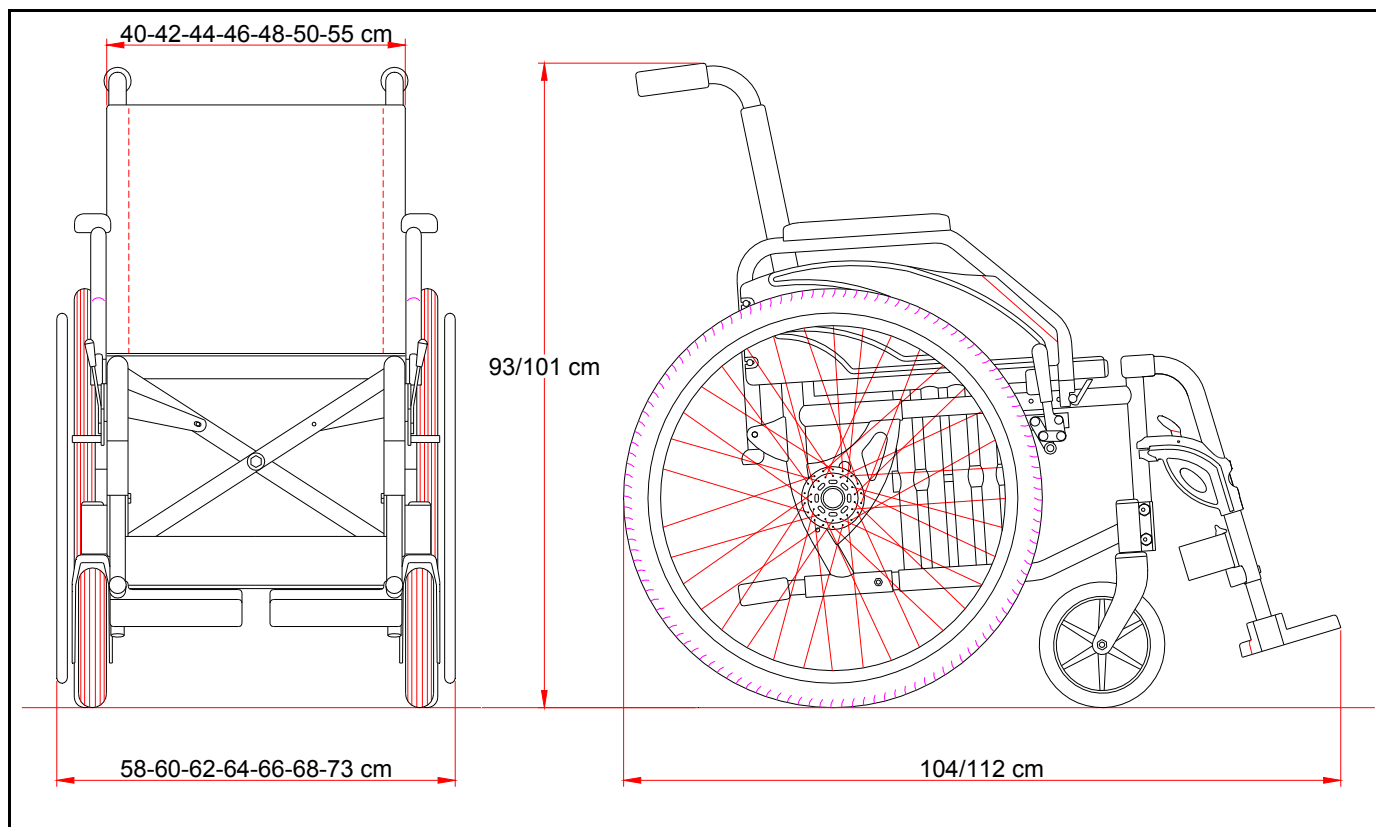
Detachable calfrest strap.

All the materials used for the manufacture of the aid are hypoallergenic and atoxic.

Available sizes: 40 – 42 – 44 – 46 – 48 – 50 – 50 cm.

Load capacity 120 Kg.

Technical data:	
Colour:	On request
Frame:	Frame made of Aluminium alloy
Dimensions (cm):	112x66x93/101h
Volume (m³):	0,18
Weight (Kg):	16
Weight w/pack: (Kg):	
Antistatic:	No
Disposable:	No
Fire-resistant:	-
Use manual:	with aid
Staeament of conformity enclosed:	
	
Commercial informations:	
Issue date:	29/07/2015
Price:	
of pieces:	
ISO 9999 Code:	12.21.06.039
Warranty:	
Kinematic mechanism consumable parts	12 month
Frame	24 month



LIST OF OPTIONS:

13.03-/+	REDUCTION/INCREASE OF SEATING HEIGHT	
13.05	CRUTCH HOLDER	
13.10E	REAR TRANSIT WHEELS Ø 300 (IN ALTERNATIVE TO THOSE Ø 600)	
13.20	DRUM BRAKES WITH LEVERS FOR ATTENDANT	
13.37	FOOT STRAP	
13.37R	HEEL STRAP	
13.38U	UNIVERSAL BOTTLE HOLDER	
13.40	PADDED BACKREST CUSHION	
13.44	ADDITIONAL CASTORS FOR NARROW PASSAGES	
13.47	ANTITIPPING WHEELS	
13.47EV	ANTITIPPING RETRACTING WHEELS	
13.48	TRUNK PUSH PAD	
13.52	REAR WHEELS WITH QUICK RELEASE	
13.54	HELM HANDRIM	
13.58	PADDED ABDUCTOR	
13.58R	PADDED ABDUCTOR ADJUSTABLE IN HEIGHT	
13.61D/S	ONE ARM STEERING SYSTEM RT/LF	
13.65	DEVICE FOR BILATERAL AMPUTATED	
13.67	INNER PADDING FOR ARTICULATION RECLINING FOOTRESTS	
13.70	TRANSPARENT LENTICULAR WHEEL COVER	
13.70C	COLOR LENTICULAR WHEEL COVER	
13.81D/S	ONE ARM BRAKE RT/LF	
14.04	DESK ARMRESTS ADJUSTABLE IN HEIGHT	
14.04C	CLASSIC ARMRESTS ADJUSTABLE IN HEIGHT	
14.34E	RECLINING BACKREST	
14.45Z	BACKREST BAG	
14.51U	TRANSPARENT TRAY	
14.51UR	TRANSPARENT UPSETTING TRAY	
14.54U	RIGID ABS TRAY	
14.54UR	UPSETTING ABS RIGID TRAY	
14.61/22-1	REAR PU WHEELS 22"	
14.61/22PN	REAR PNEUMATIC WHEELS 22"	
14.61/24-1	REAR PU WHEELS 24"	
14.61/7	FRONT PNEUMATIC WHEELS Ø 175	

The company informs that the product can be modified without previous notice.

VASSILLI S.r.l. Via Canada, 9 – 35127 PADOVA - ITALY – Tel. +39-049-8798911 Fax +39-049-644546

Pag. of pag.

2

3

14.62	STRAP WITH BRACES	
14.66	CHEST STRAP	
14.76	ONE PIECE ALUMINIUM FOOTPLATE	
14.75	RECLINING LEGRESTS	
14.79L	CLASSIC ARMRESTS	
14.81	POSTURAL HEADREST	
14.82	BACKREST EXTENSION	
15.92P	EXTENDED BRAKE LEVERS	
21.06	POSTURAL FOAM ACTIVE BACKREST	
21.14	POSTURAL FOAM ACTIVE SEATING	
21.40	PALM SUPPORT	
21.82	POSTURAL WRAPPING HEADREST	
21.84EVL	SEPARATE FOOTPLATED ANGLE ADJUSTABLE	
22.56E	CUSHION 5 CM HEIGHT	
R120PU	FRONT PU WHEELS Ø 120	
R150PU	FRONT PU WHEELS Ø 150	