

EVOLUTION XXL



General description:

Aid in conformity to the Standard EN 12183.

Folding frame with double cross made of powder varnished steel, adjustment system allowing to increase the seat depth until 10cm.

Synthetic loading fabrics, atoxic and hypoallergenic, washable and easily removable for replacement and sanitization. Backrest adjustable in height +8cm.

Upsetting armrests with front lockage equipped with containing side protections.

The laying area is made of soft foam polyurethane.

Rear pneumatic reinforced wheels Ø600, equipped with ball bearings and parking brakes.

Support of the rear wheels set up for the placing of the pins in order to allow to insert different type of wheels and the placing of the pins to let the seating more comfortable reducing at the same time the resistance to the forward movement and improving the sliding of the aid.

Separate adjustable footrests with one piece footplate to increase the resistance of the supports. Footrests supports revolving and removable with quick release unlocking, complete with removable chest strap.

Fork support equipped with device for the adjustment of the axle of the vertical rotation in order to avoid vibrations of the wheel.

Front pneumatic directional wheels Ø200x50.

Rear handles with handgrips for the attendant.

Step climber device.

All the material used are hypoallergenic and atoxic.

Available seat width: 55-60-65- 70- 75 cm.

Load capacity 220Kg.

Technical data:

Colour:	On request
Frame:	Varnished steel
Dimensions (cm):	115x95x110h
Volume (m³):	0,3
Weight (Kg):	37
Weight w/pack: (Kg):	42
Antistatic:	No
Disposable:	No
Fire-resistant:	-
Use manual	with the aid

Statement of conformity enclosed:



Commercial informations:

Issue date:	04/06/2020
-------------	------------

Warranty:

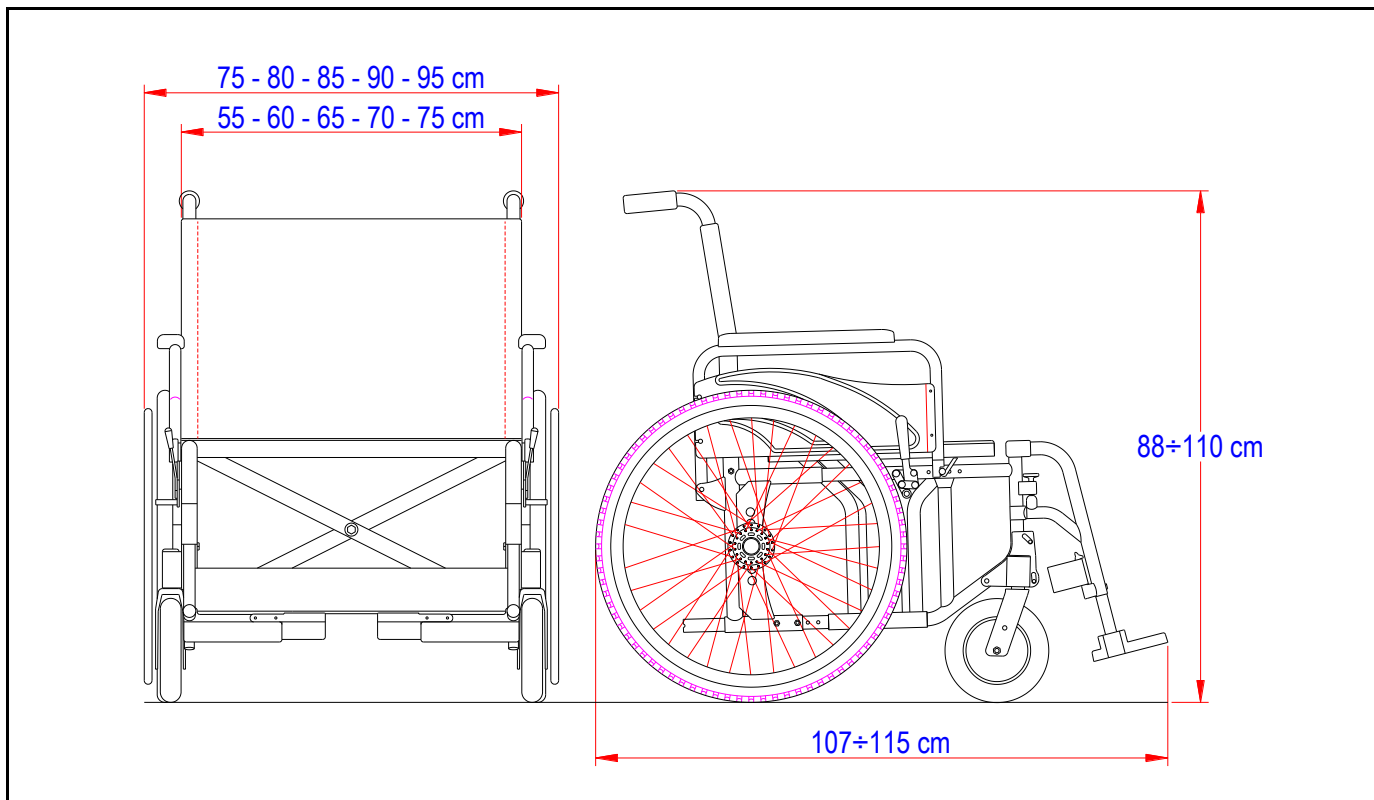
Kinematic mechanism consumable parts electric and electronic components	12 month
Frame	24 month

The company informs that the product can be modified without previous notice.

VASSILLI S.r.l. Via Canada, 9 - 35127 PADOVA - Tel. 049/8798911 Fax 049/644546

Pag. of pag.

1 2



LIST OF OPTIONS:

13.03-/+	REDUCTION/INCREASE OF SEATING HEIGHT
13.05	CRUTCH HOLDER
13.10XXL	REAR TRANSIT WHEELS Ø 300 REINFORCED
13.18XXL	DRUM BRAKES WITH LEVERS FOR ATTENDANT
13.37	FOOT STRAP
13.38U XXL	UNIVERSAL BOTTLE HOLDER
13.40 XXL	PADDED BACKREST CUSHION
13.47 XXL	ANTITIPPING WHEELS
13.48	TRUNK PUSH PAD (SPECIFY IF FOR RT OR LF)
13.58	PADDED ABDUCTOR
13.62XXL	REINFORCED STRUCTURE FOR BILATERAL AMPUTATED
13.63	SEAT DEPTH ADJUSTMENT + 5 CM
13.70	TRANSPARENT LENTICULAR WHEEL COVER
14.34XXL	MANUAL RECLINING BACKREST REINFORCED
14.45Z	BACKREST BAG
14.51U XXL	TRANSPARENT TRAY IN PC
14.51UR	TRANSPARENT UPSETTING TRAY
14.54U XXL	RIGID ABS TRAY
14.54UR	UPSETTING ABS RIGID TRAY
14.66 XXL	CHEST STRAP
14.74 XXL	MANUAL RECLINING LEGRESTS REINFORCED
14.77	CLASSIC ARMRESTS ADJUSTABLE IN HEIGHT
14.77D	DESK ARMRESTS ADJUSTABLE IN HEIGHT
14.78	DESK ARMRESTS
15.92P	EXTENDED BRAKE LEVERS
21.06XXL	POSTURAL FOAM ACTIVE BACKREST
21.14XXL	POSTURAL FOAM ACTIVE SEATING
21.40	PALM SUPPORT
21.78	PADDED WRAPPING HEADREST
21.84P	SEPARATE FOOTPLATED ANGLE ADJUSTABLE
22.56XXL	PADDED CUSHION 5 CM HEIGHT
14.82XXL	REINFORCED BACKREST EXTENSION
14.88XXL	RIGIDI PADDED SEAT
13.02	I.V. STAND

The company informs that the product can be modified without previous notice.

VASSILLI S.r.l. Via Canada, 9 - 35127 PADOVA - Tel. 049/8798911 Fax 049/644546

Pag. of pag.

2 2