

BABY EVOLUTION FOLDABLE - WHEELCHAIR WITH SEAT ADJUSTABLE IN WIDTH AND DEPTH FROM 24 TO 34 CM.


General Description:

Aid in conformity to the Standard EN 12183.

Structure entirely made of high-strength aluminium, epoxy powder coated with glossy finishes.

Equipped with a width and depth adjustment system with steps of 2 cm. from 34 to 24 cm.; seat and back with adjustable straps and containment bottoms for the distribution of the load; padded cushions predisposed for the adjustment of the seat width and depth from 34 to 24 cm.

Fixed lateral sides with parking brakes; 22" pneumatic rear wheels with quick release, fixed to the frame on a bracket arranged with various positions for the displacement and the optimum balance in accordance with the needs of the user.

Two PU Ø 100-120 mm directional front wheels, mounted on the fork support arranged to be adjusted to the vertical position as a function of the adjustment of the rear wheels.

Possibility to change the seat height from 44 to 48 cm.

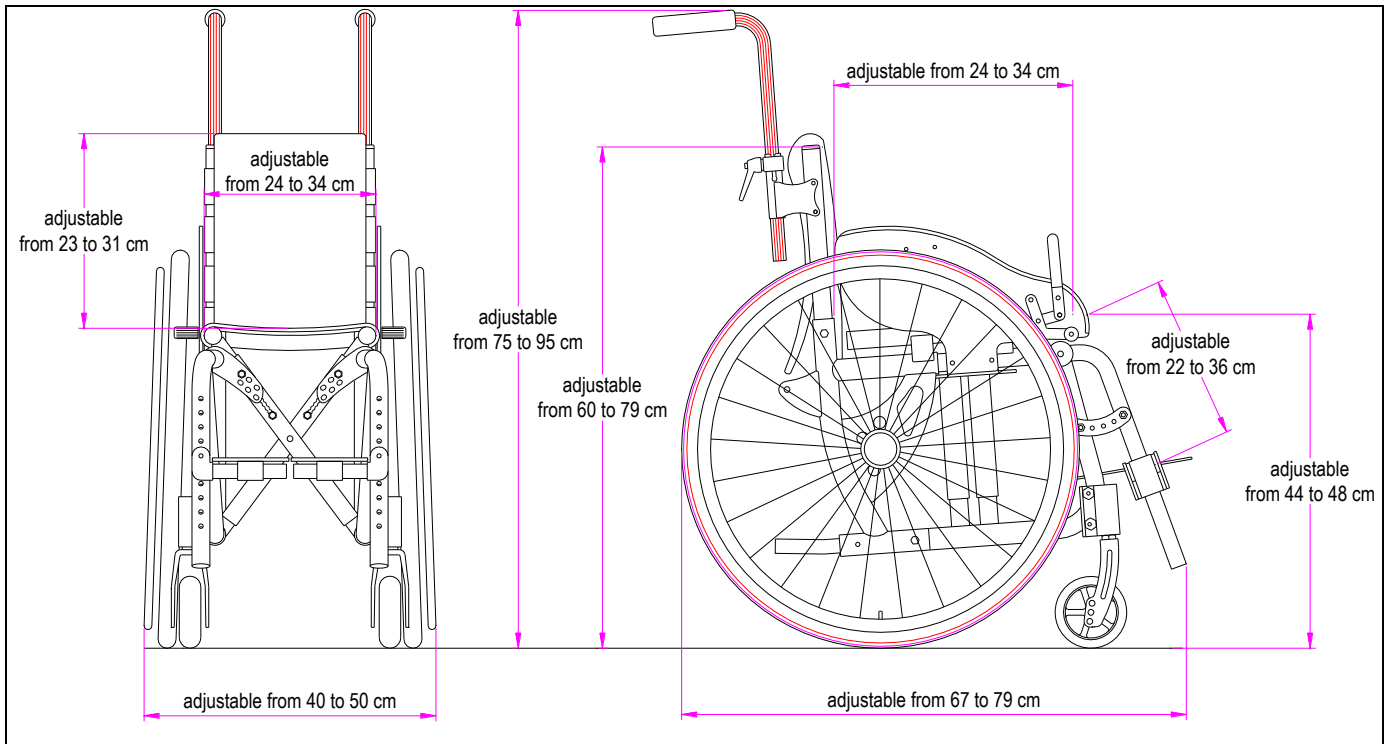
Folding footrests, adjustable in height, width and depth in the foot flexion-extension.

Attendant handles adjustable in height, tilt wheels.

All the materials used are hypoallergenic and non-toxic.

Max.Load 75 Kg.

Technical data:	
Colour:	On request
Frame:	High strength aluminium
Dimensions (cm):	79x50x79h
Volume (m3) :	0,32
Weight (kg):	11,00
Weight w/pack. (kg):	15,00
Antistatic:	No
Disposable:	No
Fire-resistant:	-
Use manual	With the Aid
Statement of conformity enclosed : 	
Commercial information:	
Issue date:	08/11/2016
CND Code:	Y122106
RDM Code:	
ISO 9999Code:	12.21.06.060
Warranty:	
Kinematic mechanism consumable parts electric and electronic components	12 month
Frame	24 month



LISTA SUPPLEMENTI:

13.20	DRUM BRAKES WITH ATTENDANT'S LEVERS
13.37	FOOT STRAPS
13.40	PADDED BACKREST CUSHION ON TENSIOND BOTTOM
13.44B	ADDITIONAL WHEELS FOR NARROW CASTORS
13.47	ANTITIPPING CASTORS
13.48	TRUNK LATERAL PUSH (SPECIFY RIGHT OR LEFT)
13.48A	OPENING TRUNK LATERAL PUSH (SPECIFY RIGHT OR LEFT)
13.55/E	QUICK RELEASE REAR WHEELS
13.58B	PADDED ABDUCTOR
13.60D	ONE ARM DEVICE RIGHT (ONLY WITH 0° CAMBER)
13.60S	ONE ARM DEVICE LEFT (ONLY WITH 0° CAMBER)
13.67	SUPERGRIP RINGS
13.70	LENTICULAR TRANSPARENT WHEEL COVER
13.70C	LENTICULAR COLOURED WHEEL COVER
14.45Z	KNAPSACK
14.51U	PC TRANSPARENT TRAY
14.54U	TAVOLO RIGIDO IN ABS
14.61/22-1	22" PUNCTUREPROOF RAER WHEELS
14.62	STRAP WITH BRACES
14.66	CHEST STRAP
14.66PL	PELVIC STRAP
14.78BAN	INNER NEOPRENE PADDINGS 5 MM FOR SIDE PANELS
14.78MB	CONTOURED SIDE PANELS WITH UPPER EDGE
14.82	BACKREST EXTENSION
14.89G25	ANCHORAGE KIT FOR FOLDING WHEELCHAIR WITHOUT PASSENGER ON IT - HOOKS/CLAMPS
14.89MM	ANCHORAGE KIT FOR FOLDING WHEELCHAIR WITH PASSENGER ON IT - HOOKS/CLAMPS
15.92P	LONGER LEVERS FOR HAND BRAKES
13.15SC	CONTOURED BACKREST ON RIGID BOTTOM
13.15SD	CONTOURED SEAT ON RIGID BOTTOM
21.82	WRAPPING POSTURAL HEADREST
22.56E	H 5 CM H. PADDED CUSHION ON TENSIONED BOTTOM
R120-PU	Ø120 PUNCTUREPROOF FRONT CASTORS
R150-PU	Ø150 PUNCTUREPROOF FRONT CASTORS