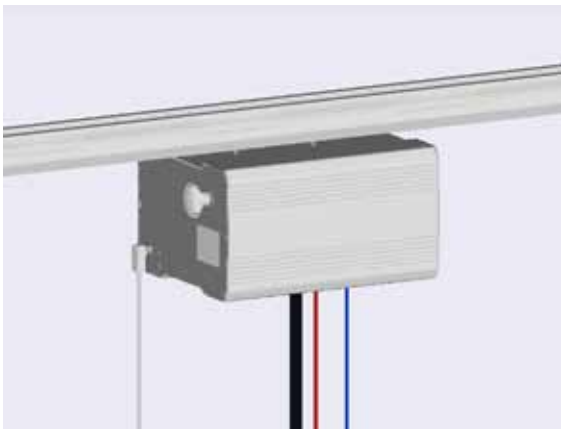


# HOYER

helps to lift ...  
...innovative and creative

## HOYER Overhead systems with and without driving motor

- Patented rail system
- No more need of external help, support for carepersons
- For every room the suitable solution
- Few components, a lot of possibilities,
- Simple Installation and disassembly, no license needed
- A large range of accessories: curves, switches, traversal systems, turntables, etc.



The overhead system of HOYER is an excellent tool for the lifting and transport of people with reduced mobility.

The overhead system of HOYER with motor (art. 72007) can be handled without external help and permit the user to move quite independently, for example from the bath into the bed or to the toilet. They offer him an increased independence, while reinforcing his confidence in himself.

The overhead system of HOYER without motor (art. 72005) can be handled easily by a careperson.

Overhead systems perfectly agree to narrow spaces, where a mobile hoist can not be used because of its size. They are characterized by their easy handling.

CE

The branded article of the manufacturer with a long year experience.

Manufactured in Germany, tested in our own laboratories according to the most recent safety standards (according to EN ISO 10535 with more of 10.000 cycles of lifting under load).

mobile hoists • overhead systems • pool lifts • stairlifts  
elevators for handicapped persons • special constructions

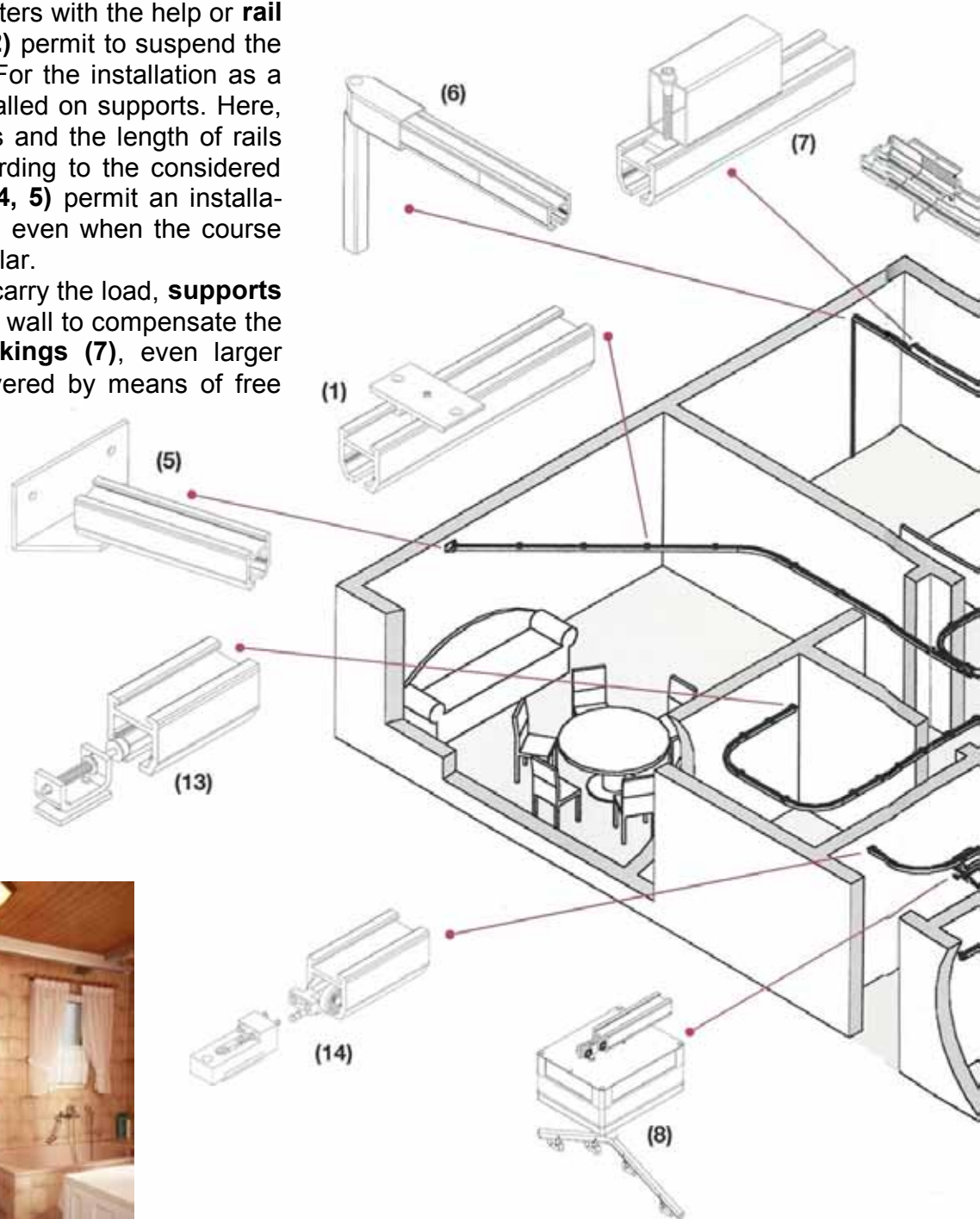
**HOYER** Lifter  
SYSTEME

## HOYER overhead system

The patented rail system can be installed for each purpose matching. Later expansions are easily possible through the connection system. With minimal expenditure, a maximum of possibilities for use is reached. The prefabricated parts make possible an individual track course for each area.

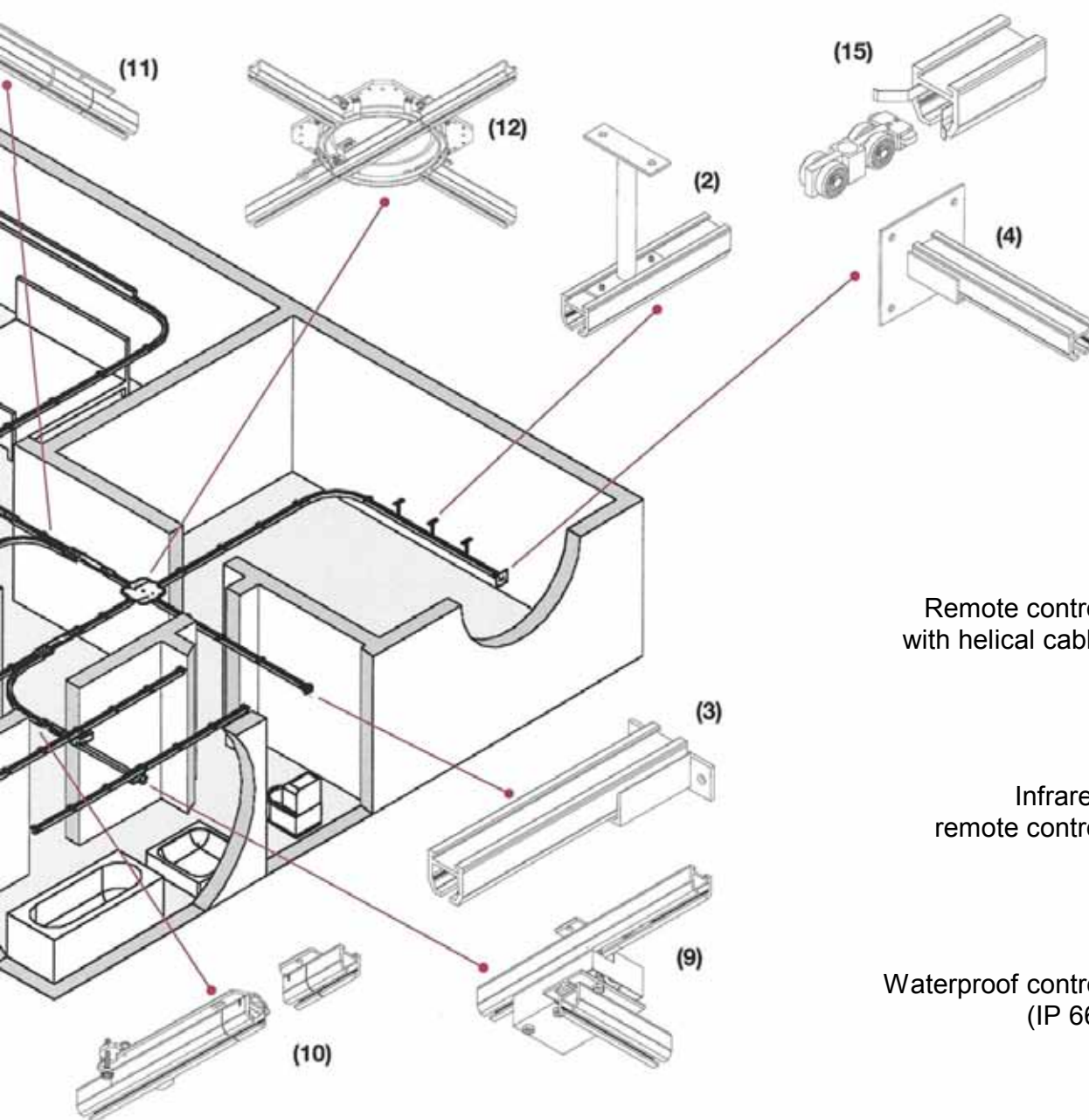
The rail system is fixed to the ceiling in concrete or to wooden rafters with the help of **rail holders (1)**. **Struts (2)** permit to suspend the rail from the ceiling. For the installation as a gantry, the rail is installed on supports. Here, the height of supports and the length of rails can be adapted according to the considered use. **Wall plates (3, 4, 5)** permit an installation from wall to wall, even when the course of rails is not rectangular.

If the wall should not carry the load, **supports (6)** are installed at the wall to compensate the load. Thanks to **backings (7)**, even larger distances can be covered by means of free rails.



## HOYER overhead system

In an traversal system (traveling platform), two rails carry a mobile track. By this way, the **lifting cassette (8)** can reach all places in the room. The rolling **holders** of the driving track **(9)** can be provided with a motor. Equipped with a ceiling lifter with motor, the installation can quite be used completely electrically. By means of a **transition piece (10)**, the ceiling lifter can pass from a mobile track to a continuing rail. So, an user can change from a traversal system in the bath on the single track in the hall and drive further into the bedroom. **Switches (11)** are available for manual or electric command. By means of a **turntable (12)**, the user can change directions on narrowest area. **Stoppers** with springs **(13)** close the ends of the rails. The ceiling lifter is charged by means of a charger, that is connected to the manual keyboard. If needed, the ceiling lifter can be charged in a parking position by means of a **docking station (14)** at the end of the rail or permanently by the integration of **pantographs** in the rail **(15)**.



Remote control  
with helical cable



Infrared  
remote control



Waterproof control  
(IP 66)





## HOYER overhead system



The HOYER ceiling lifter is suitable not only for the easy transfer of the patient, for example from the bed to the wheelchair. The multiple possibilities of the rail system offer solutions all ready for every problem.

For the use in the private domain, the dwelling can be equipped completely – bedroom, bathroom, toilet and passageways.

In the public establishments, such as hospitals, centers of rehabilitation, baths or swimming pools, the elevator of ceiling is a convenient tool.



### Overhead lifter with double strap



The HOYER ceiling lifter with double strap suits extremely well for the lying transport of patients. Like the ceiling lifter with simple strap, it is available with and without driving motor.

The installation as a gantry hoist is available with variable height and length. It is easy to disassemble, portable and can be fixed to the ground easily.

### Installation as a gantry hoist



### Strap for lying transport

In this booklet, we only can show some of the multiple possibilities of the HOYER overhead system. If you want ampler information, we are to your disposition to inform you.

Subject to technical alterations

*For more than 50 years, our company is the specialist of rehabilitation tools. The mobile hoists and ceiling lifters of HOYER actively contribute to the independence of the user and the relief of the carepersons. Our devices answer to needs of users and carepersons and they are compliant to the most recent technical and legal requirements.*

*HOYER also manufactures pool-lifter, elevators and other innovative tools for all domains of the rehabilitation.*

## HOYER GmbH • Reha-Lift & Transfersysteme

Industriepark HOYER • Elsa-Brandström-Str. 7 • D-35510 Butzbach

Tel.: +49 (0) 6033 / 9652-0 • Fax: +49 (0) 6033 / 965252

www.hoyer-lifter.com • info@hoyer-lifter.com